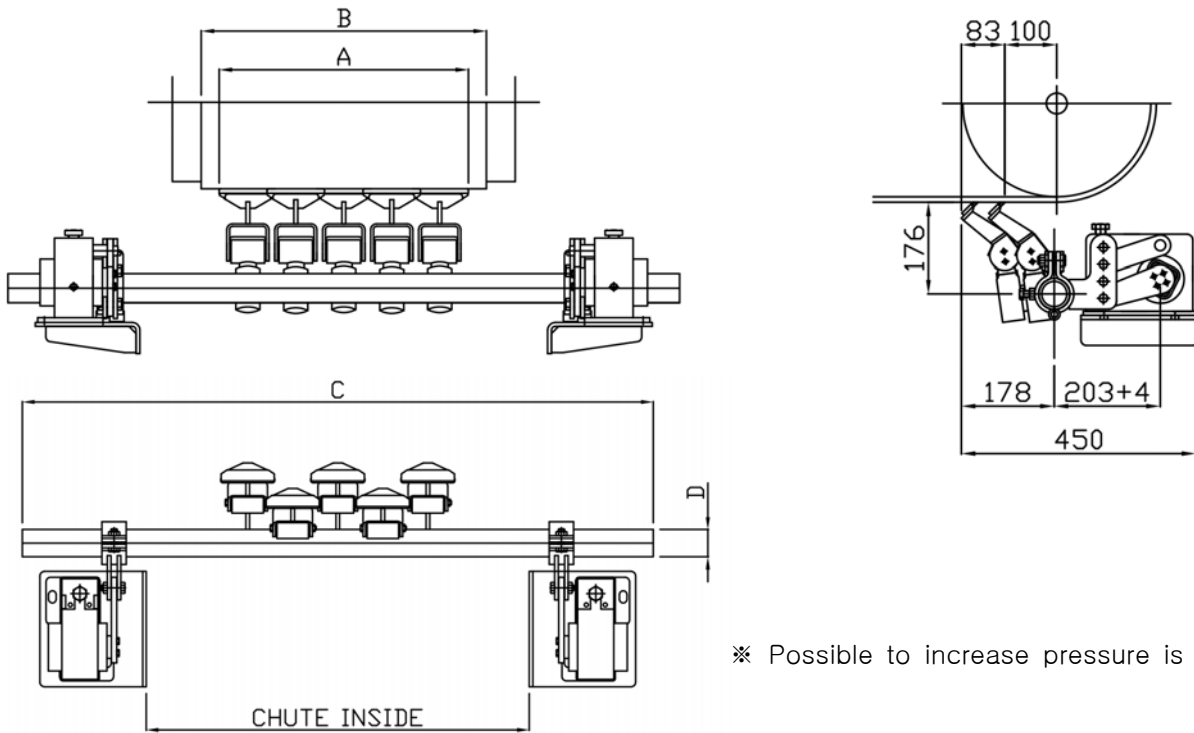


Rubber Suspension Blade Scraper LCS2-3S1 Type



※ Possible to increase pressure is up to 65 mm

Model	Belt size	Tip Size	Module Q`ty	Body size	D
	A[mm]	B[mm]	Q`ty	C[mm]	
LCS2-3S1	400	320	3	1200	∅60.5
	500	420	4	1300	
	550	420	4	1350	
	600	520	5	1400	
	750	620	6	1500	
	800	620	6	1600	
	900	720	7	1700	
	1000	820	8	1800	

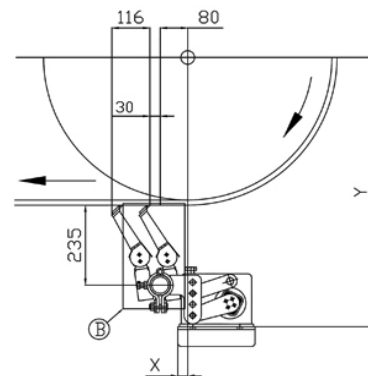
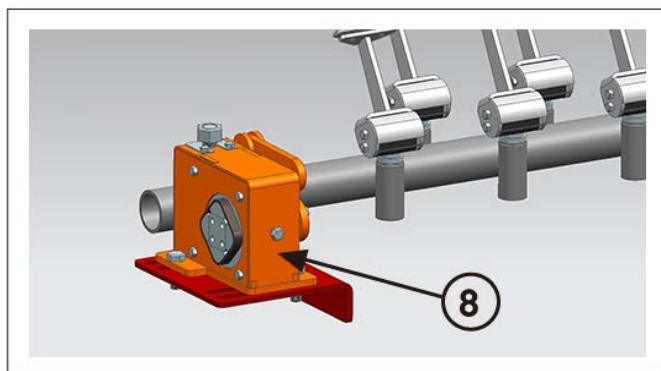
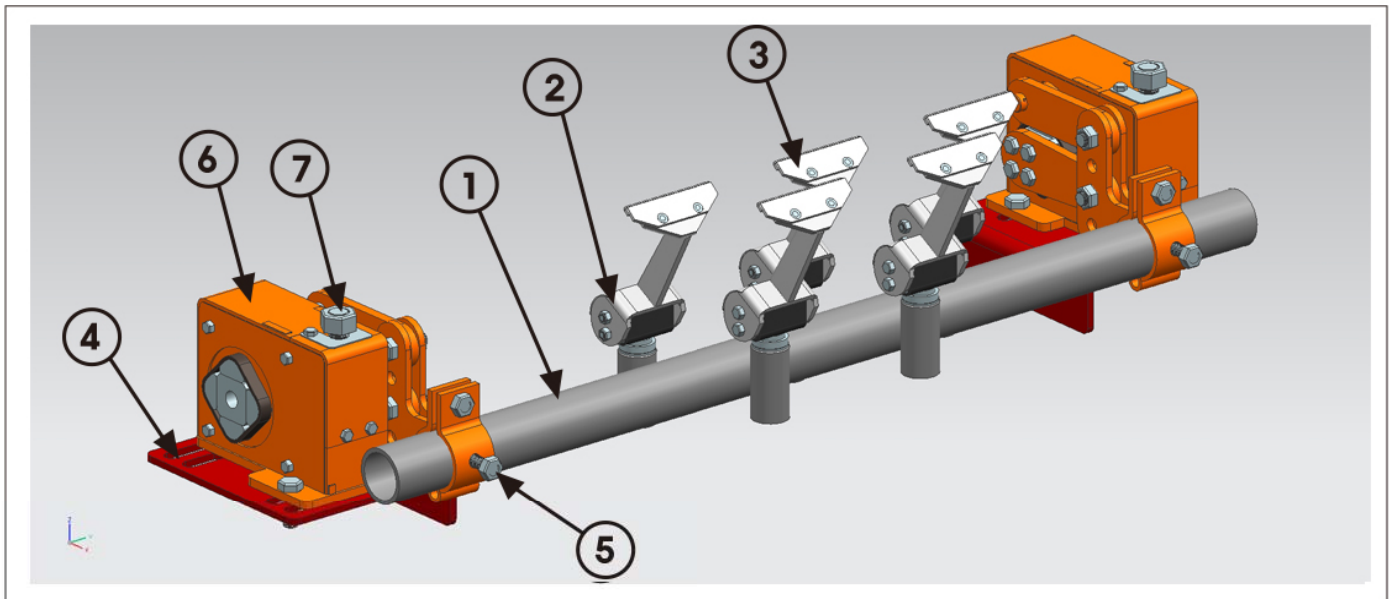
Without applying pressure above drawing shows the scraper.

During installation, the installation manual is required.

This drawing LAUTEC CO. As an asset in a secret LAUTEC CO. Part, without the written consent of, or
The disclosure of all, or should not be reproduced or copied.

Patent, copyright, and all rights are reserved.

C,P-TYPE BELT CLEANER- Installation Manual



Product Specifications

1. CP Cleaner Body a high-pressure the pipe (STPG) on the molten-plated one that the-standard form referred to as - ①
2. CP Cleaner Holder - ②
3. CP Cleaner carbide tips - ③
4. CP Cleaner installation plate - ④
5. CP Cleaner Body fixed bolt - ⑤
6. CP Cleaner pressurized the device - ⑥
7. CP Cleaner pressure adjustment bolt - ⑦
8. Pressurized After the adjustment fixed bolt - ⑧

INSTALLATION

1. In accordance with the installation drawings Pulley Center 4 (mounting plate) is installed X. Marking Y is the distance.
2. 1 (Cleaner Body) in accordance with the installation drawings Shute enough to fit wall OPEN (B) causes.
3. 4 (installation plate) Marking is welded to the left and right side Shute. Four. 1 (Cleaner Body) and Shute wall where the cut surface and slide the belt three times (tip), and then make a horizontal Five times (fixed bolt) just tighten and fix.
5. "Zeroing" – 7 (pressurized vault) return belt side and three times (Tip) of the front and back will be a match.
6. "Cleaner pressure" pressure on the side arrow to show a marked ↓ return if the grid scale pressure from the 2–3 is completed.
7. Pressure after the completion of eight times (pressure mounting bolts) to fix.
8. Cleaner efficient pressure drops should be pointed in the same way as before.